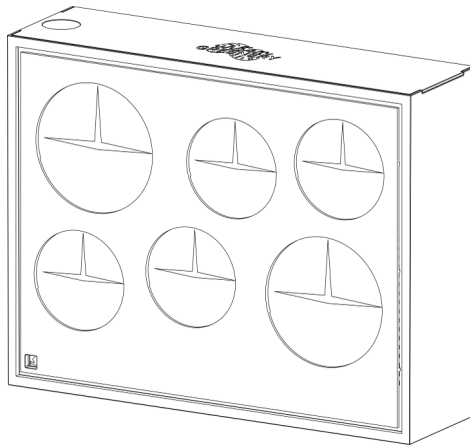


THE BOX

BOX.6 – Substrate cushion variant



Installation and operating instructions

English

Read carefully
before use and
installation.

MANY THANKS!

Thank you for choosing the sustainable wall greening from Urban Greenery. Below we show you how quick and easy it is to hang up your box. We also clarify important questions and give you tips for getting started with your vertical garden. **Please read these instructions carefully!**

TABLE OF CONTENTS

General safety instructions	2
Technical data	3
Scope of delivery	4
Illustration	5
Installation	6
Installation - One module	7
Installation - Modules next to each other	7
Installation - Modules one below the other	8
Planting	9
Planting guide	10
Instructions for use and care	11
Spare parts and repair	12
Disposal and recycling instructions	13

PRODUCT DESCRIPTION

“The Box“ is a module for indoor wall greening and can be extended vertically and horizontally with other modules.

GENERAL SAFETY INSTRUCTIONS

Only use the product in the manner described for the purpose described (intended use). Improper use and misuse can lead to property damage and personal injury.

Please do not use the product if it is damaged. Contact our service department if you have received damaged goods. Using a damaged product can lead to property damage.

Only suitable for use indoors and in covered and weather-protected outdoor areas. Only use components and spare parts for the product that are intended for this purpose by the manufacturer. Unsuitable components can lead to leaks and damage to property.

Before installation, please check the maximum permissible load of the walls and check them for curvatures or inclinations. Only use the wall plugs, screws and mounting rails supplied by the manufacturer. Improper installation can lead to personal injury and damage to property.

Do not install the product in the immediate vicinity of an open fire (e.g. fireplace), hot surfaces or other heat sources (e.g. heating) and avoid direct contact. Failure to observe this instruction may result in a fire hazard with personal injury and damage to property.

Do not install the product directly above or next to electrical appliances or sockets. Failure to observe this instruction may result in personal injury and damage to property.

The product must not be used as a shelf or storage unit and is not designed for additional loads.

The product may only be filled with a maximum of 0.5 litres of water. Please pay attention to the water level indicator and follow the instructions. Overfilling the tank can lead to water damage due to escaping water.

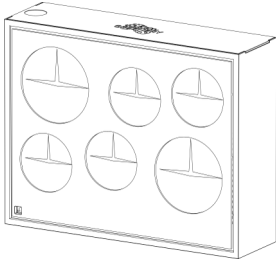
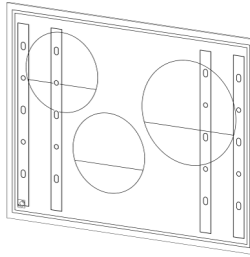
The product is not a toy. The product contains small parts, there is a risk of swallowing.

TECHNICAL DATA

Description	The Box - BOX.6
Model	1.0
Weight	ca. 3150g (Tare weight)
Dimension (L x W x H)	450 mm x 150 mm x 350 mm

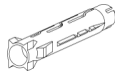
This information might be subject to change without notice.

SCOPE OF DELIVERY


A

B

C

D

E

F

G

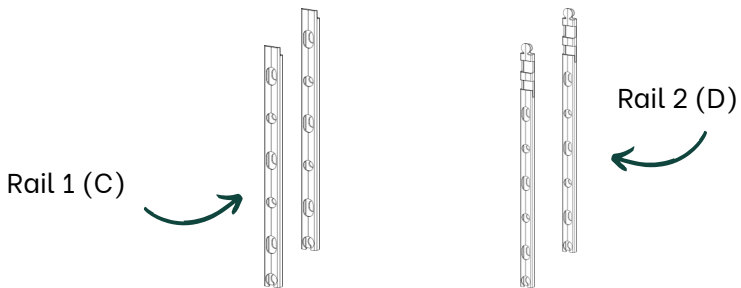
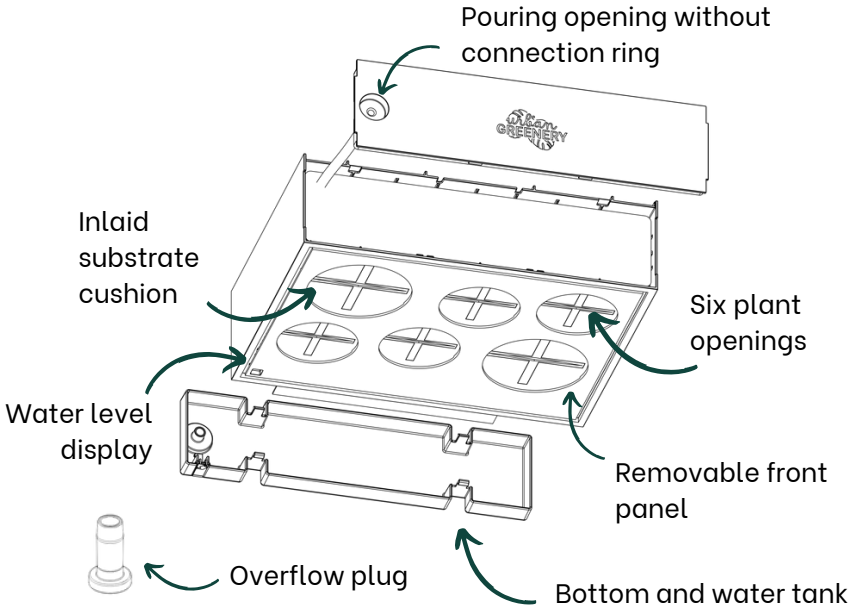
H

Code number	Name	Quantity
A	Box.6 with substrate cushion	1x
B	Cardboard drilling template	1x
C	Rail 1	2x
D	Rail 2	2x*
E	Screw (Torx/5,5 x 60)	4x
F	Dowel (Fischer UX8)	4x
G	Bag of premium substrate	1x
H	Connection ring	1x

*Depending on the installation selected, standard mounting rails (single box) (C) or mounting rail junction box (D) are included.

ILLUSTRATION

Front view



INSTALLATION

The installation of our box is simple. If you want to connect several modules together, please note that there are two different types of mounting rails and you need to use the correct one.

In general: Rail 1 (C) is used for the upper modules (individual boxes) and rail 2 (D) for all modules below (“junction boxes“). Please check the scope of delivery of your modules.

Attention: The overflow plug supplied is inserted from below through the opening in the tank. Only use with single boxes or the lowest modules.

EQUIPMENT REQUIRED

For installation, you will need a drill, a spirit level and, if necessary, a helping hand. The enclosed drilling template must be used to ensure a precise fit. We recommend attaching it to the wall with adhesive tape! The plugs and screws supplied are suitable for all wall types.

The inserted connection ring must be used if several boxes are installed on top of each other to ensure a safe water flow.

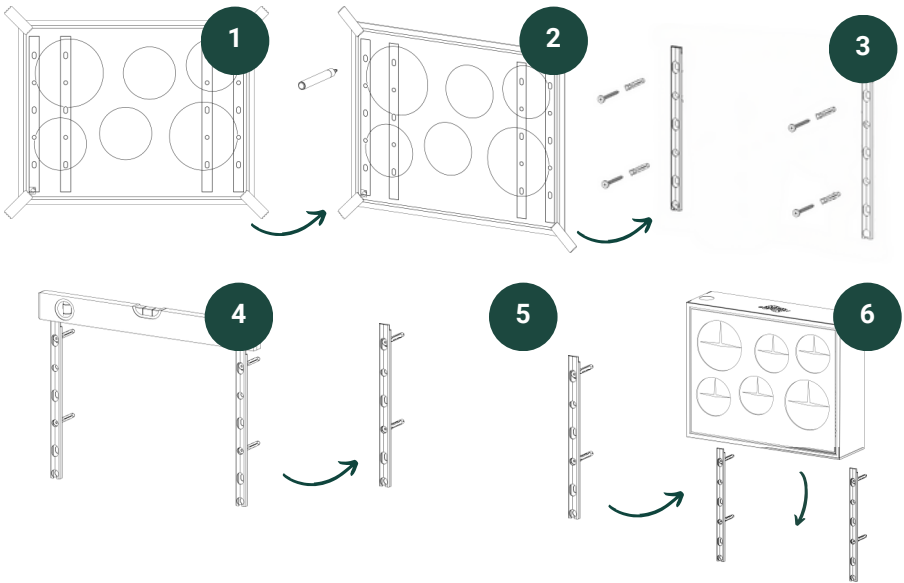
Please carry out all installation work with appropriate care and concentration. Follow the safety instructions and instructions for use.

NOTE ON PLANTING

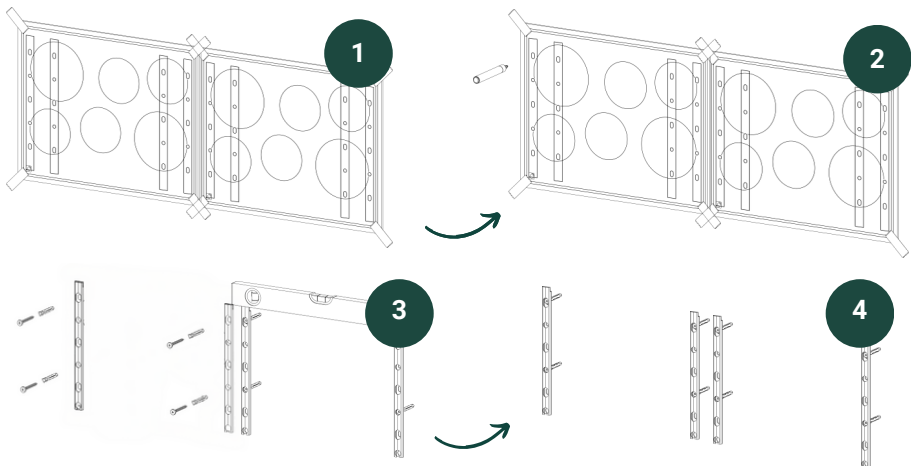
With the substrate cushion variant, we recommend that you plant your box before hanging it up. You can already attach the mounting rails to the wall.

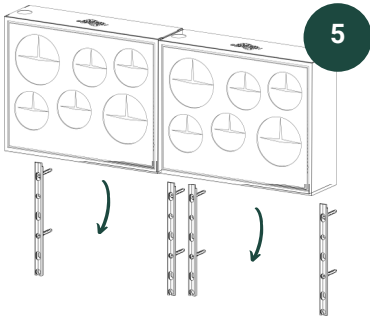
Important: Please leave the packaging protection and the adhesive strips on the box. They help to ensure smooth planting!

INSTALLATION - ONE MODULE

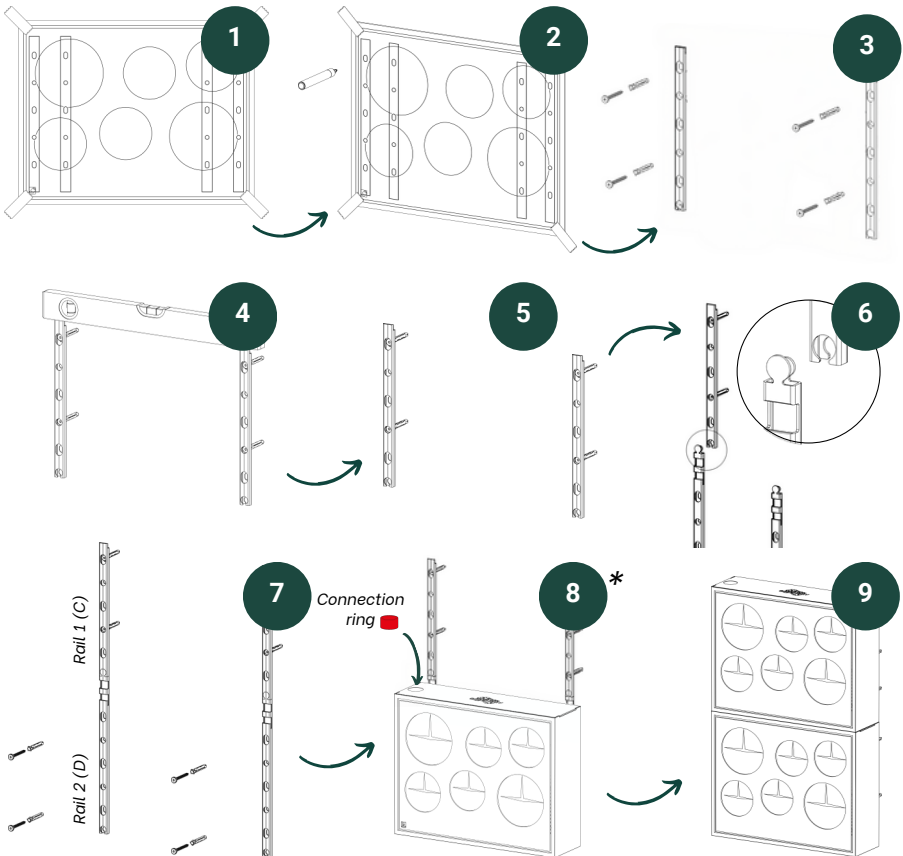


INSTALLATION - MODULE NEXT TO EACH OTHER





INSTALLATION - MODULE BELOW THE OTHER



*Always insert the connection ring into the pouring opening of the lower box.

PLANTING




You decide which plants you want to decorate your plant wall with. We have put together the following instructions and tips to make planting as easy and successful as possible. Our planting guide can help you to create the most attractive plant wall possible. You can find plant sets tested and recommended by gardeners in our shop.

PLANTING INSTRUCTIONS

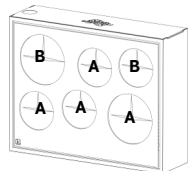
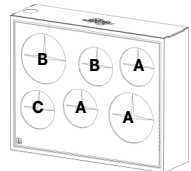
- Your box is supplied with a suitable substrate and a substrate cushion already inserted.
- **Important:** Please do not remove the packaging protection and adhesive strips until after planting. They provide support and help with the process.
- Place your box with the openings facing upwards on a level and stable surface.
- You can now simply pull out the inserted paper through one of the openings. It is only used for clean and loss-free delivery.
- Take the plants out of the pots, carefully remove the excess soil and place them in the substrate cushion from the front through the pre-cut plant openings. If necessary, you can enlarge the openings with scissors. **Tip:** Place the plants with the roots pointing downwards at an angle (towards the ground).
- Now hang your planted module in the mounting rails. Please check that your box is positioned straight and is correctly connected to the mounting rails.
- As soon as your box is installed straight, you should water the box carefully. Water carefully directly through the plant openings.
- **Important:** For the first two weeks, water the plants directly through the planting hole, then through the watering hole in the lid.

PLANTING-GUIDE

To create a particularly attractive plant wall, we recommend planting according to a plan. To do this, we divide plants into three types, depending on their growth habit and function in the plant wall.

Typ	Beschreibung	Beispiele	Illustration
A	Climbing and twining plants, with rampant growth, hanging	Philodendron, Epipremnum aureum, silver inch plant, phlebodium	
B	Cluster-forming, spreading, distinctive growth or leaf shapes	Ferns, Green lily	
C	Eye-catcher, special features (colour, leaves, etc.)	Fittonia, Monstera 'Monkey Leaf'	

- **Type A** plants work particularly well in the lower areas of the plant wall. We also like to use them on the sides.
- **Type B** provides good coverage and can be used anywhere, but the centre and upper areas of the module are particularly suitable.
- **Type C** plants are real eye-catchers and look particularly good around the edges.



We recommend a ratio of 4:2 or 5:1 of type A and B to C.

Tip: The division of our compiled plant sets already corresponds to this ratio.

INSTRUCTIONS FOR USE AND CARE INSTRUCTIONS

Thanks to our intelligent watering system, caring for your new plant wall is incredibly easy. The modules are supplied with water via the watering hole in the lid and the water level indicator in the front panel shows you the current fill level of the tank. Please top up the tank in good time to ensure optimum humidity - normally around three times a month, depending on the air and room conditions.

If you have installed several modules on top of each other, it is sufficient to fill the top module, as our system automatically supplies all modules. **However, make sure to monitor the water level indicator of each module to avoid overfilling.**

To fertilise your plant wall, you can add a suitable liquid fertiliser to the irrigation water. Please read the instructions for use for your liquid fertiliser. We recommend the first fertilisation at the earliest 4 weeks after planting! Please do not use slow-release fertilisers.

Tip: You can find suitable sustainable fertilisers in our shop.

In the event of pest infestation, you should replace infested plants immediately. We recommend regular leaf care and the removal of dead plant parts. If your entire substrate cushion is affected, you can simply replace it by removing the front panel without unhooking the box.

We recommend using a damp cloth to clean your module. Please refrain from using chemical cleaning agents, as these can damage the plants and the box.






SPARE PARTS AND REPAIR

Our box has been designed to last and is made from high-quality materials. However, if something should break, you can reorder all components in our spare parts shop and repair your box very easily. This is easy on your wallet and the environment. You can access our shop via our website urban-greenery.de.

DISPOSAL AND RECYCLING INSTRUCTIONS

The product consists of different components for which different disposal and recycling regulations may apply.

Please contact your local authority to find out about the applicable regulations and dispose of the individual components separately.

Component	Material	Recommendations for disposal	Recycling-Code
Module with front panel, water tank and cover	Recycled polypropylene (PP)	Recycling centre/ Recycling bin	 PP
Irrigation hose	Polyvinyl chloride (PVC)	Recycling centre/ Recycling bin	 PVC
Substrate cushion	Recycled polyethylene terephthalate (PET)	Recycling centre/ Recycling bin	 PET
Irrigation fleece (turquoise)	Polyethylene (PE)	Recycling centre/ Recycling bin	 PE
Rails	Steel	Recycling centre/ Recycling bin	 FE
Substrate and plants	Organic Material	Compost or organic waste bin	-

CONTACT

Urban Greenery GmbH

Lerchenfeld 5-7
91459 Markt Erlbach

hallo@urban-greenery.de
www.urban-greenery.de

We have done our best to ensure that the instructions for use are as correct, complete and accurate as possible. Nevertheless, deviations cannot be completely ruled out, which is why we accept no liability for errors in the instructions for use provided. We accept no liability for damage caused by failure to observe the instructions for use.

The Urban Greenery team wishes you lots of
fun with your new plant wall!